



DOLLE[®]

**DESIGN &
QUALITY**

BALUSTRADE SYSTEMS

FOUR EXCITING QUALITY SYSTEMS FROM DOLLE



PROVA 8



PROVA 10



PURE



CLEAN





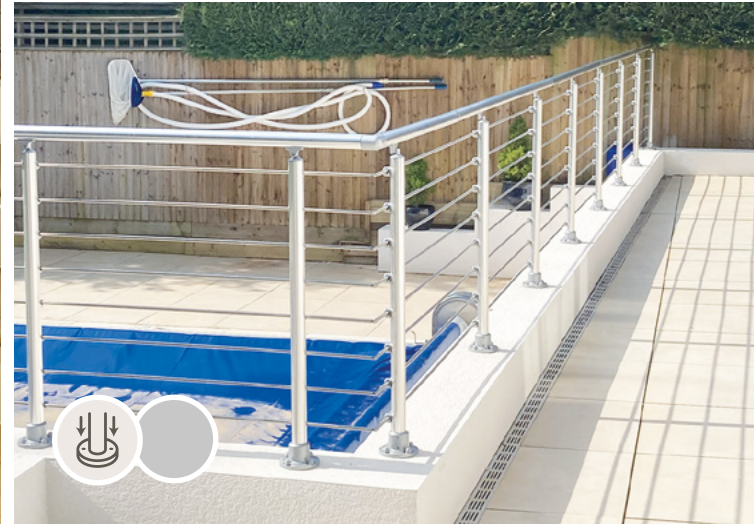
PROVA 8



PROVA 8

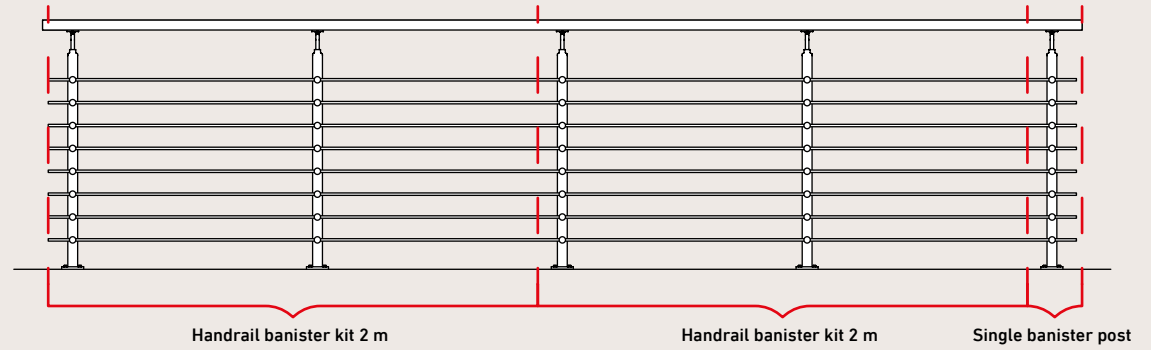
The PROVA Balustrade system is ideal for internal and external spaces and can be tailored to suit the style of your home and adaptable to your requirement. This is our premium Balustrade system which is capable of installation across flat and incline surfaces seamlessly with a range of components such as wall connectors, handrail junctions to ensure a perfect installation into any project.

- » Available in 200 cm packs also which comprises of 2 vertical posts, 8 horizontal tubes and handrail and fixings to join the system or End cap. Only add a finishing post at the end of each line of PROVA 8.
- » The PROVA system is suitable for both floor and wall mounted installation.
- » In terms of colour the PROVA balustrade kit is made of polished Aluminium and the Anthracite is Aluminium, powder-coated to RAL 7016.
- » Handrail heights adjustable from 95-100cm.
- » Concrete Post anchors or timber screw packs available colour capped.

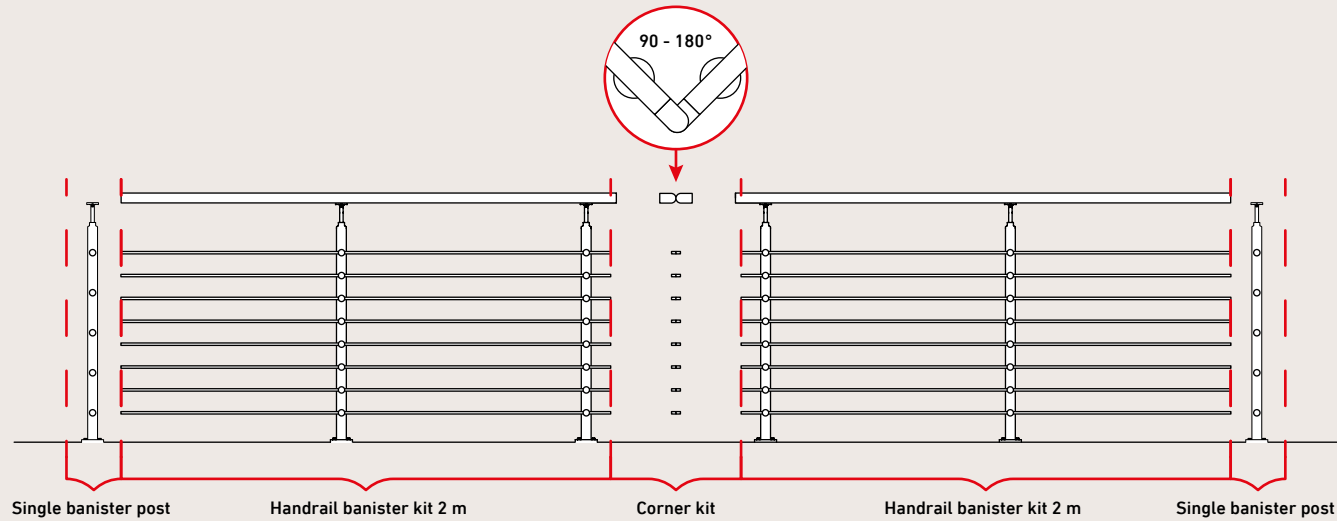




EXAMPLE OF 4 METER BANISTER



EXAMPLE OF CORNER KIT





PROVA 10



PROVA 10

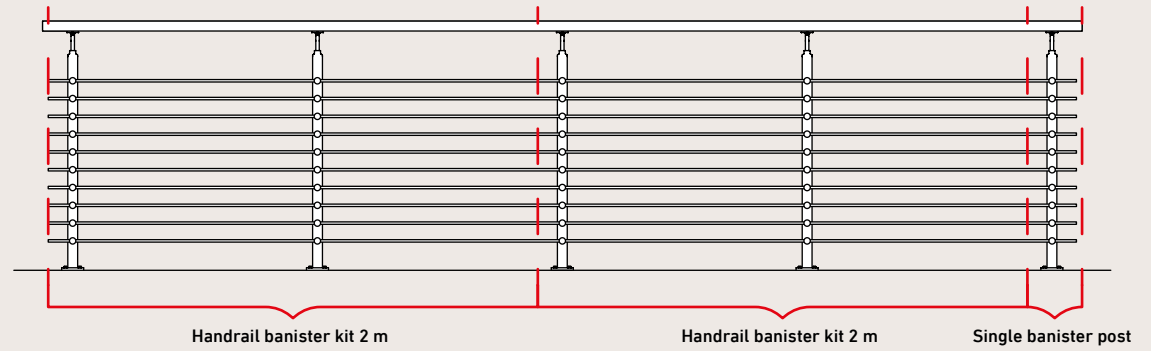
The PROVA Balustrade system is ideal for internal and external spaces and can be tailored to suit the style of your home and adaptable to your requirement. This is our premium Balustrade system which is capable of installation across flat and incline surfaces seamlessly with a range of components such as wall connectors, handrail junctions to ensure a perfect installation into any project.

- » Available in 200 cm packs also which comprises of 2 vertical posts, 10 horizontal tubes and handrail and fixings to join the system or End cap. Only add a finishing post at the end of each line of PROVA 10.
- » The PROVA system is suitable for both floor and wall mounted installation.
- » In terms of colour the PROVA balustrade kit is made of polished Aluminium and the Anthracite is Aluminium, powder-coated to RAL 7016.
- » Handrail heights adjustable from 115-120cm in the PROVA 10.
- » Concrete Post anchors or timber screw packs available colour capped.

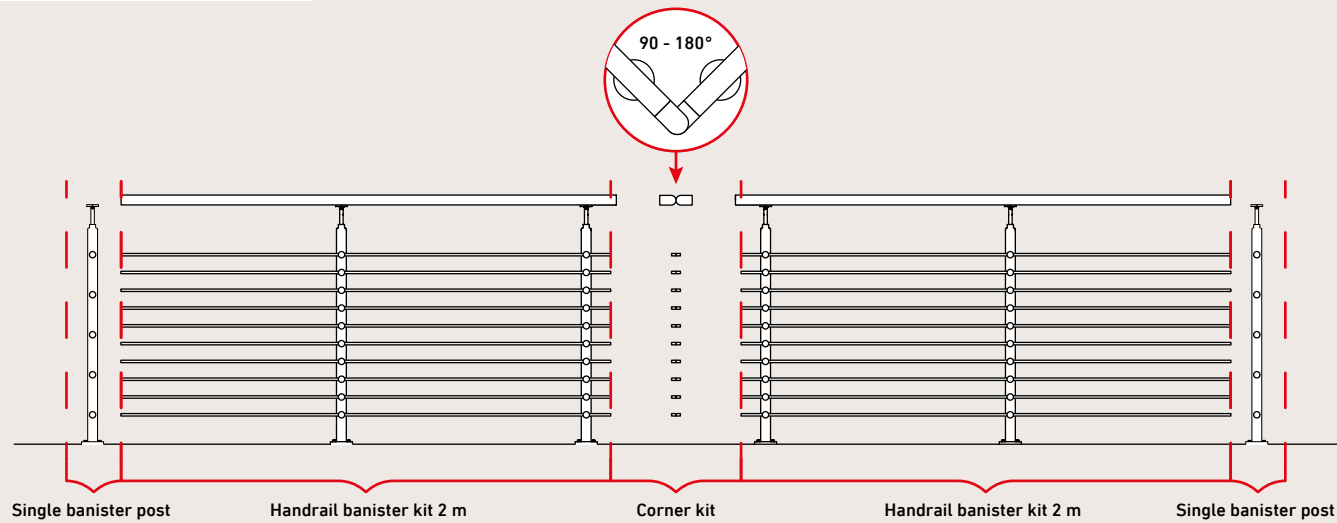




EXAMPLE OF 4 METER BANISTER



EXAMPLE OF CORNER KIT





PURE



PURE

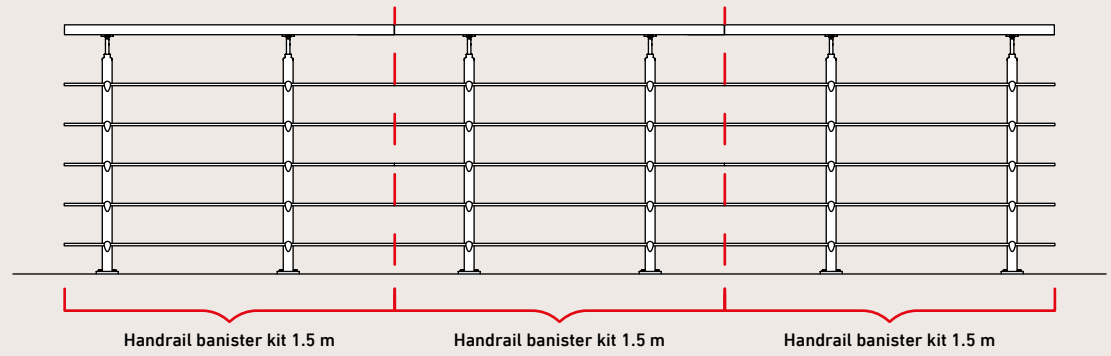
Our PURE Balustrade system is an oval tube system available in 3 colours Titanium, Black and White.

- » Wall or floor mounted post option.
- » The PURE is available in 150 cm packs comprising of 2 posts, 5 horizontal tubes and a handrail and fixings to join the system or End cap. The system can be joined for longer run requirements or cut to suit the length of balustrade required.
- » Handrail height of 100cm.
- » Corner pack available to turn a maximum of 90 degrees.
- » Rated internally or externally.

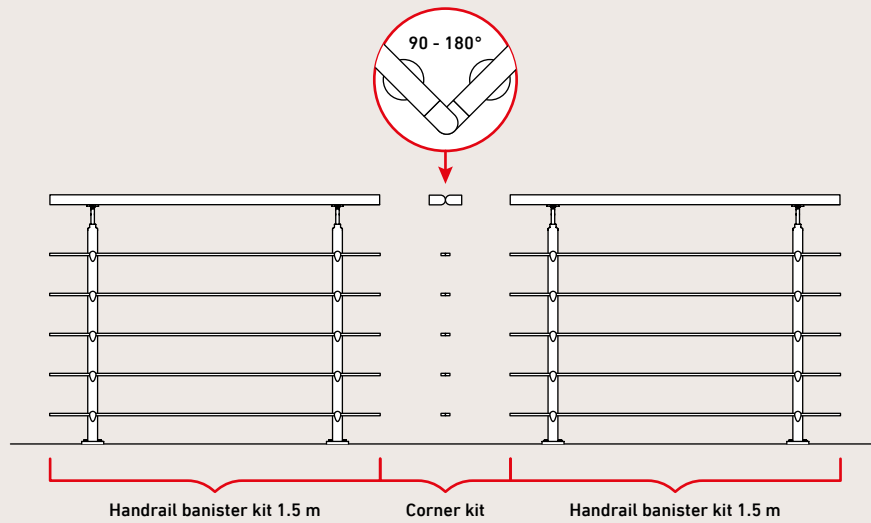




EXAMPLE OF 4.5 METER BANISTER



EXAMPLE OF CORNER KIT





CLEAN



CLEAN

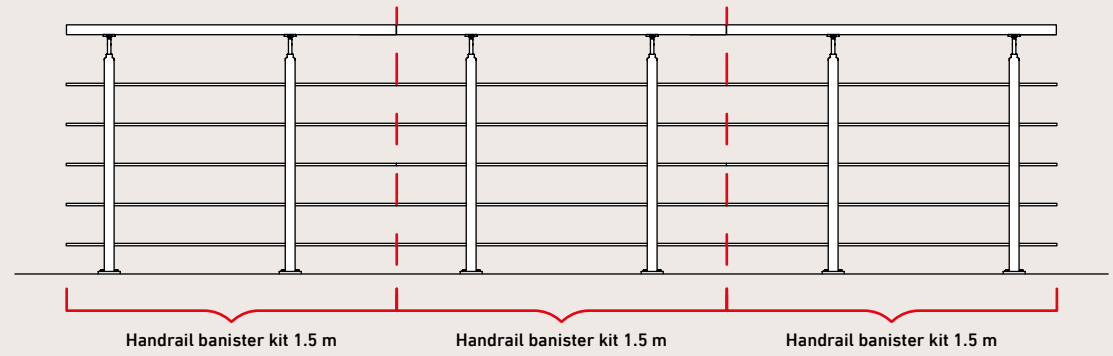
The CLEAN balustrade is available in 150 cm packs which comprises of 2 vertical posts, 5 horizontal tubes and handrail and fixings to join the system or End cap. The system can be joined for longer run requirements or cut to suit the length of balustrade required.

- » Wall or floor mounted post option packs.
- » The system is available in Aluminium or Black finish.
- » Timber fixings are included in the pack.
- » Maximum Handrail height of 100 cm
- » Corner packs available to run the system seamlessly round corners or down inclines such as steps.
- » Rated internally or externally.





EXAMPLE OF 4.5 METER BANISTER



EXAMPLE OF CORNER KIT

