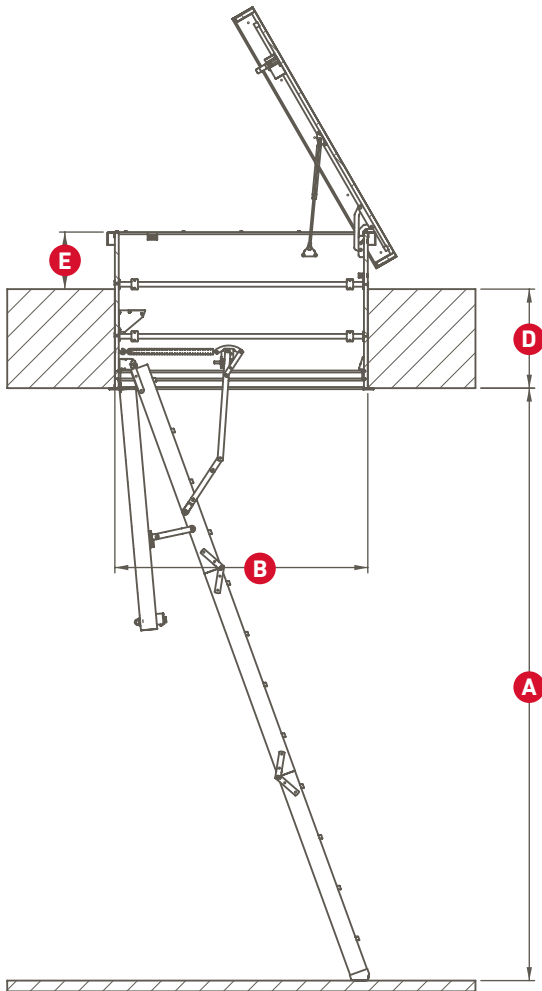


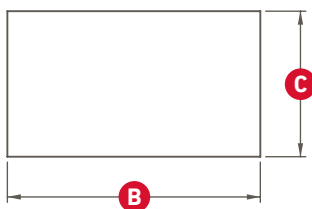
FLAT ROOF HATCH MADE TO MEASURE



- A** Floor-to-ceiling height: _____ cm
- B** Opening size - length: _____ cm
- C** Opening size - width: _____ cm
- D** Construction height*: _____ cm
min. 28.35 - max. 124.95 cm
- E** Height above roof (min. 20 cm): _____ cm
- F** Suspended ceiling**: Yes No
- G** If yes, please measure G: _____ cm

* The construction height is from the bottom of the finished ceiling to the top of the finished roof construction (see illustration).
Total height = D + E (min. 48.35 - max. 144.95 cm)

Opening size



Suspended ceiling

**By suspended ceiling the mounting space (F) must be minimum 9 cm.

